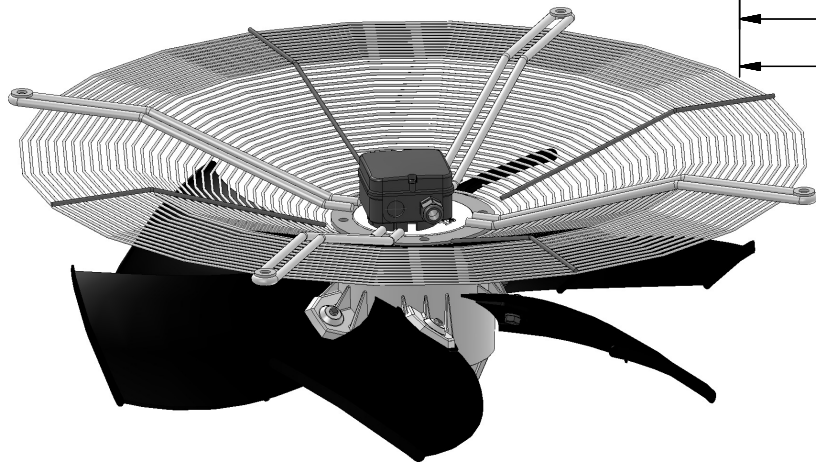
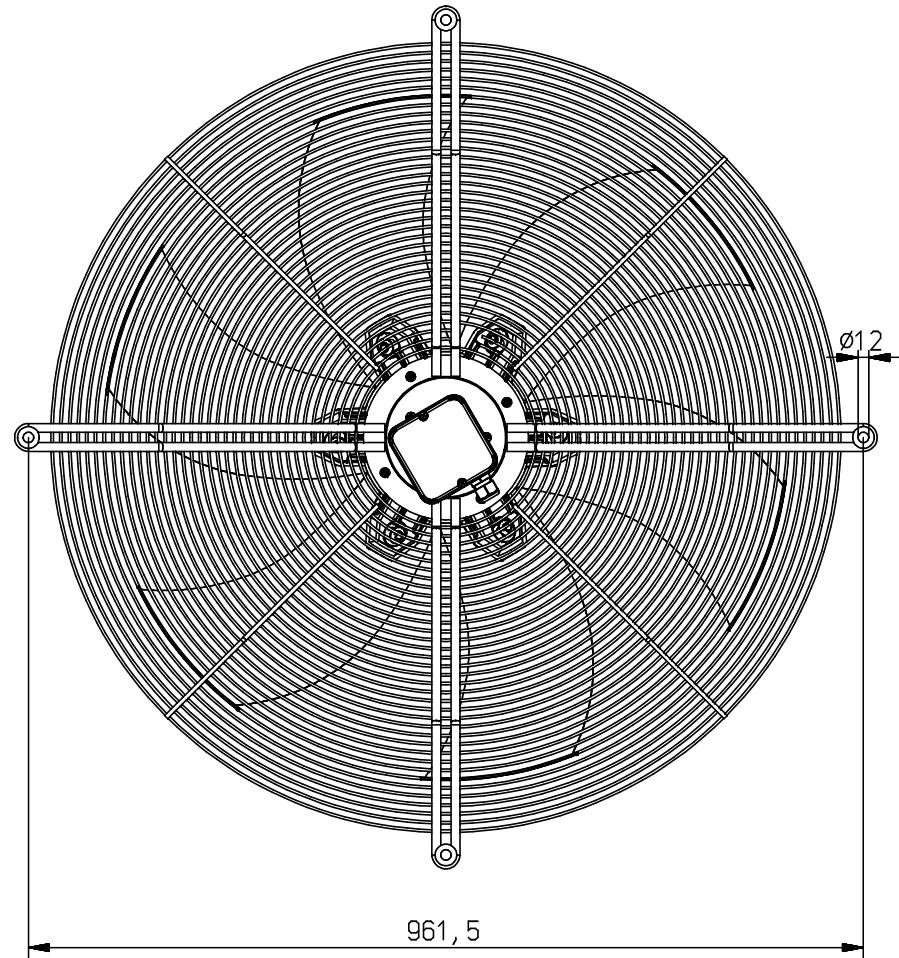
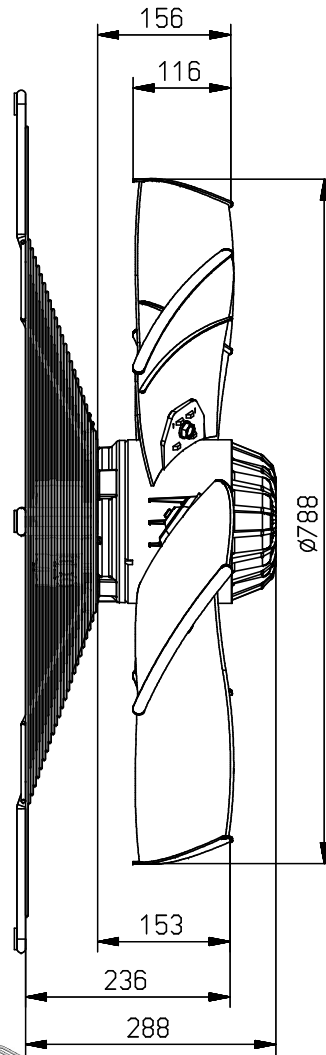
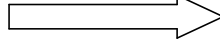



Förderrichtung "A"



| | | | | | | | | | | | | |
|--------------------------------|-----------------------|------------|-----------|----------------|--|-----------------------|------------|-----------|---------------|------------------------|--|--|
| Verfasser : TK/TM, OS, EK (PL) | 9 | | | | Werkstoff material | Freimaßtoleranzen | | | Baugröße type | AKFD800_N_6LA_A5_a.WPL | | |
| | 8 | | | | | dimensional variation | ISO 2768 m | | | | | |
| | 7 | | | | | 2015 | Datum date | Name name | | | | |
| | 6 | | | | | Bearb. | 09.03. | Pi | | | | |
| | 5 | | | | | Gepr. | 23.03. | NA | | | | |
| 4 | | | | | Norm. | | | | Art. Nr. | | | |
| 3 | | | | Gewicht weight |  rosenberg Ventilatoren GmbH D - 74653 Künzelsau Tel. (07940) 142-0 | | | | | | | |
| 2 | | | | | | | | | | | | |
| 1 | | | | | | | | | | | | |
| Nr. | Änderung modification | Datum date | Name name | | | | | | | | | |
| | | | | | | | | | | | | |